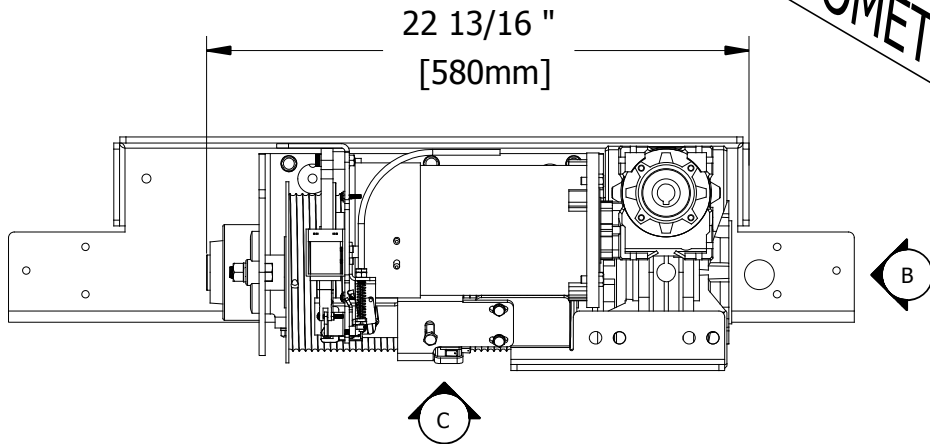
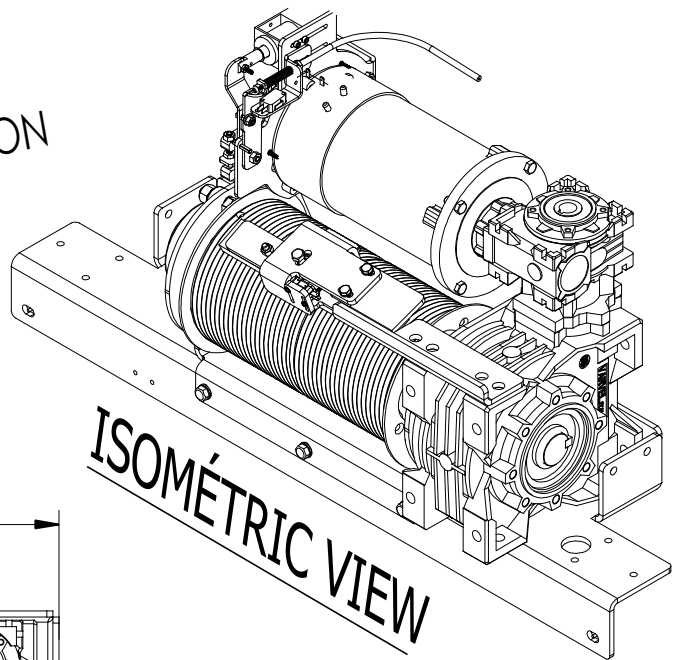
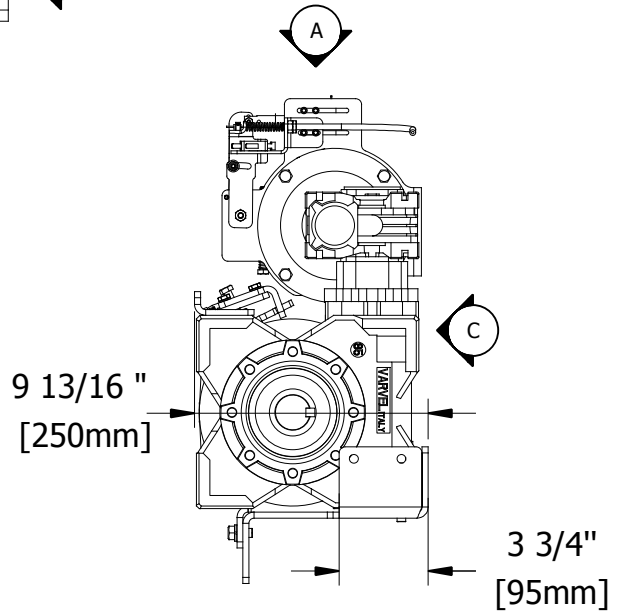


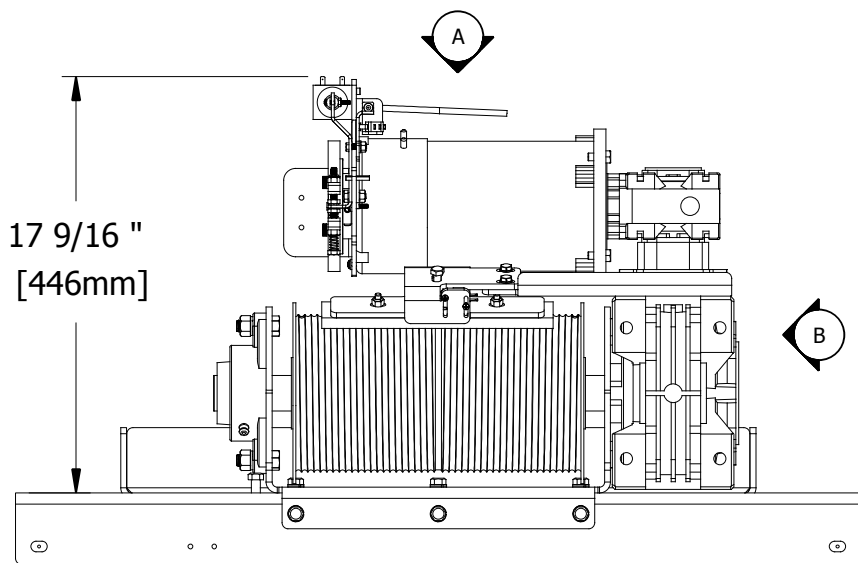
FOR REFERENCE ONLY  
NDO NOT USE FOR CONSTRUCTION



**DETAIL A**  
TOP VIEW



**DETAIL B**  
SIDE VIEW



**DETAIL C**  
ELEVATION



**AmeriGlide**  
Accessibility  
Solutions

**AmeriGlide, Inc.**  
5110 Atlantic Avenue  
Raleigh, NC 27616  
1-855-595-0281

TITLE: **GENERAL INFORMATION**

No. DRAWING <b>HYBRID_MOTOR</b>	DATE: 03/06/2018	REVISION
CODE: B355-B613	NO: McQuay	DRAFTER: McQuay
		No SHEET: 1/1