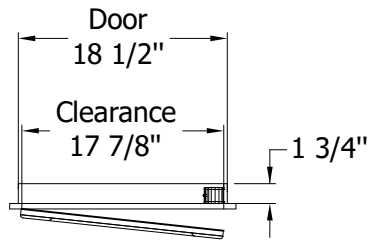
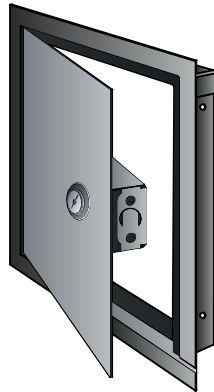


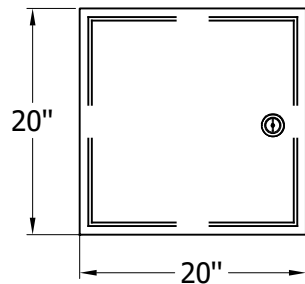
Left Hinged Door



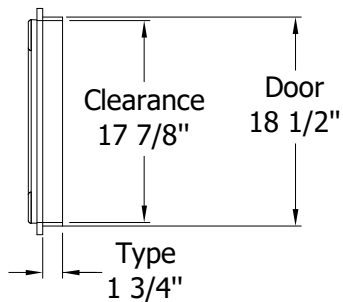
TOP VIEW



ISO VIEW



ELEVATION

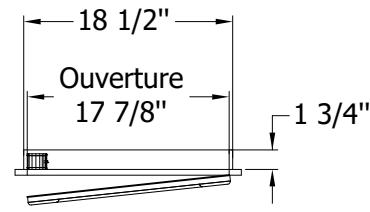


SIDE VIEW

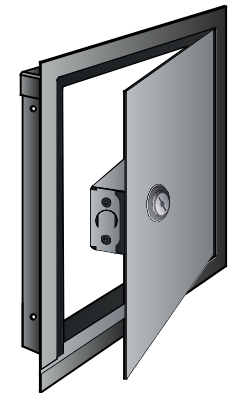
ACCESS DOOR

18 1/2" x 18 1/2" x 1 3/4"

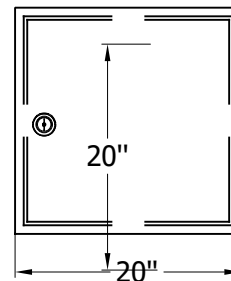
Right Hinged Door



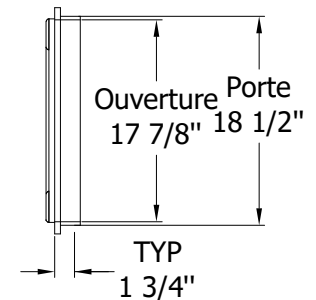
TOP VIEW



ISO VIEW



ELEVATION



SIDE VIEW

ACCESS DOOR

18 1/2" x 18 1/2" x 1 3/4"

Right hinged door	<input type="checkbox"/>
Left hinged door	<input type="checkbox"/>

DRAWING FOR APPROVAL	
CHOICE (✓)	APPROVED
	APPROVED AS NOTED
	RESUBMIT AS NOTED
SIGNATURE	
SIGN AND RETURN	



AMERIGLIDE
5110 Atlantic Ave,
Raleigh, NC 27616
Tel: 1 (800) 790-1635

Tolerance: ± 1/16"	Drafter: M. Debusschere	Product: access door	Date: <input type="text"/>	Project: <input type="text"/>	Page: 5/5
-----------------------	----------------------------	-------------------------	-------------------------------	----------------------------------	--------------